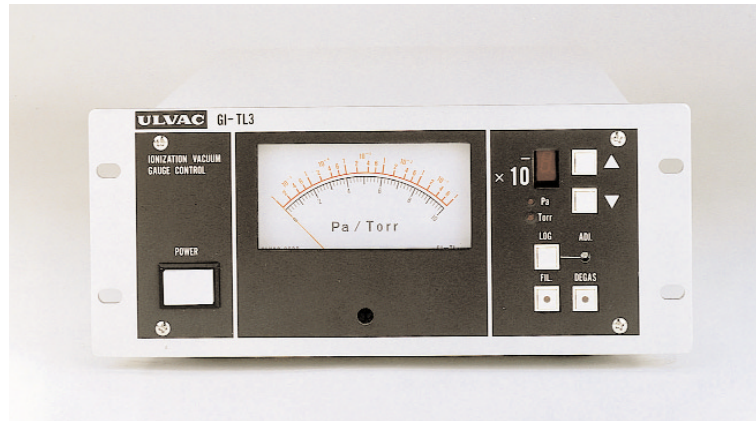


Ionization Vacuum Gauge GI-TL3/GI-TL3RY/GI-D7



GI-TL3



GI-D7



GI-TL3RY

This series is hot cathode type ionization vacuum gauge, with analog displays, capable of measuring pressure in the 10^{-1} - 10^{-6} Pa range using triode tube or B-A type sensor heads.

Features

- Accurate measurement and good repeatability with stable circuit structure.
- A filament protection circuit for preventing filament combustion.
- 2 set points with the GI-TL3RY, GI-D7.
- The filament and degassing can be controlled remotely using external contact point input.
- The set point action is activated only when the filament is ON and the emission current is normal.
- Sensitivity factor (N_2 , Ar, or other arbitrary set value) can be set.

Applications

- For pressure measurement in experiments and production processes such as sputtering and vacuum evaporation
- For vacuum equipment maintenance
- For pressure measurement for various types of vacuum equipment

Specifications

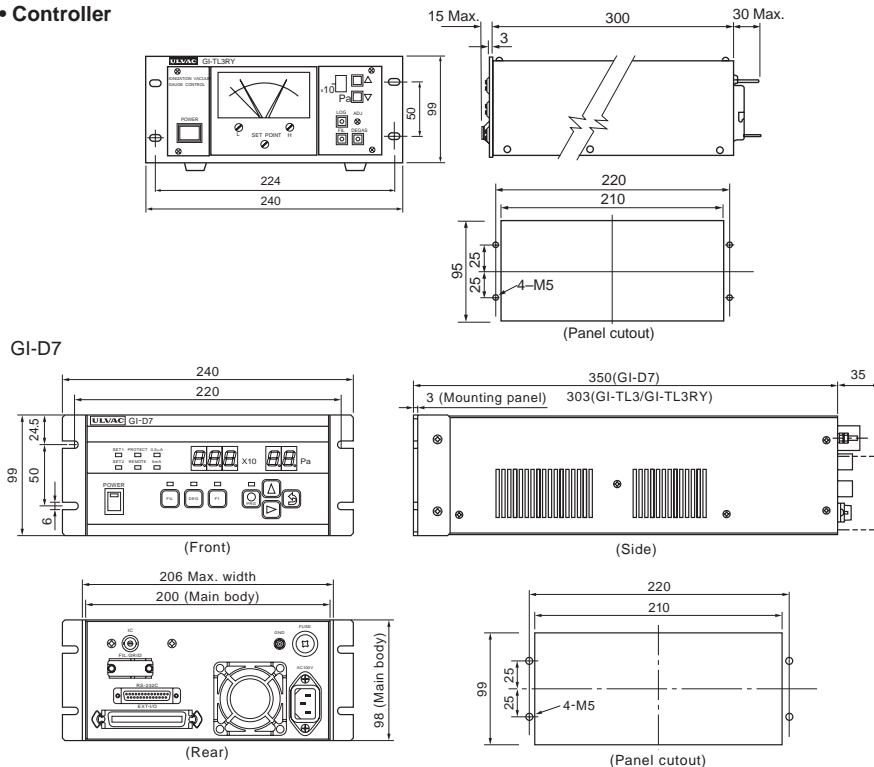
Item	Model	GI-TL3	GI-TL3RY	GI-D7
Measurable pressure range		1.3 x 10 ⁻⁵ - 6.7 x 10 ⁻¹ Pa (WIT)		
		1.3 x 10 ⁻⁶ - 1.3 x 10 ⁻² Pa (WIB)		
Measurement range		Linear scale : 6 ranges in 10 ⁻⁶ - 10 ⁻¹ Pa Logarithm scale : 1 range of 1 x 10 ⁻⁵ - 1Pa		Auto range : 10 ⁻⁶ - 10 ⁻¹ Pa
Measurement accuracy		Linear scale : ±15% Logarithm scale : ±50%		±15%
Display		Analog indication		Digital indication, 2 digit mantissa, 1 digit exponent
Degas		Direct electrical heating of grid		
Communication		None		RS-232C (9600/19200/38400bps)
Set point (contact point capacity)		None	2 points (AC100V/0.5A)	
Recorder output		DC 0 - 10V		linear output 0 to 10 VDC Pseudo-logarithmic output 0-10V (1V linear signal in each digit)
Control output		Contact point output for emission current confirmation		
Control input		Filament ON/OFF, Degassing ON/OFF, (REMOTE/LOCAL: GI-D7)		
Filament protection		Off when 120% of the meter's full scale is reached		Off when 8.0 x 10 ⁻¹ Pa (WIT) Off when 2.0 x 10 ⁻¹ Pa (WIB)
Applicable temperature range		10 - 40°C		
Power		AC100V ±10% 50/60Hz		
		71VA	72VA	100VA
Weight		5.4 kg	5.6 kg	6 kg
External dimensions	W x D x H(mm)*	240 x 303 x 99		240 x 350 x 99
Standard accessories	Power cable	3m		3m (3P plug with ground)
	Connector	DDK 24P x 1		DDK 57P x 1
	Operation manual	1		
Option		Sensor cable : 4, 10, 15, 20, 25, 30m WIT-G1, WIT-G2, WIT-G3 WIB-G5, WIB-G6, WIB-G7 WIB-N3 (B-A type nude gauge)		

* External dimensions: W = Width, D = Depth, H = Height

External Dimension Diagram

(unit: mm)

• Controller



• Sensor head

