

Ultra-High Vacuum Valve VUGH series

Ultra-high Vacuum Valve VUGH-CS/F Manual Valves with UFC Flanges (CS Models) or UVF Flanges (F Models)



VUGH-CS



VUGH-F

Specifications

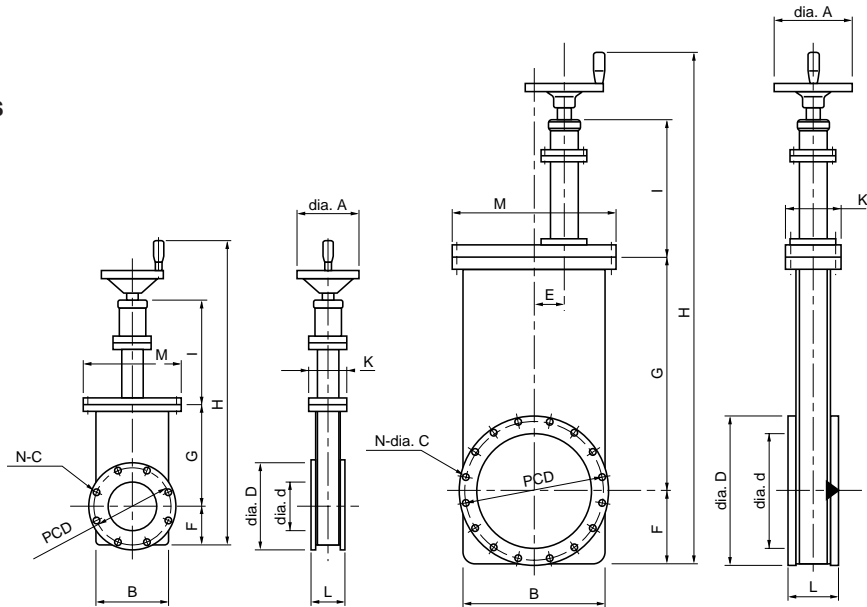
Item	Model	VUGH-CS	VUGH-F
Connection flange		UFC070-040FH-UFC306-250FH	UVF-40-UVF-250
Main unit material		Valve body, disc: Stainless steel	
Gasket material		Bonnet seal: Silver wire, Disk seal: Fluoride rubber	
Allowable baking temperature	°C	OPEN: 200/CLOSE: 150	Max. 150
Applicable pressure range	Pa	10^5 - 10^{-8}	
Leak volume	Pa·m ³ /s	$< 1.3 \times 10^{-11}$ *1	
Allowable surrounding temperature	°C	5-40	
Operation method		Manual	
Open/close signal output		Attachment not possible	

Note: 1. SI units are used in this catalog. The following conversion can be used for non-SI units.

Ultimate pressure: 1Pa = 7.5×10^{-3} Torr

2. Perform valve opening and closing operations with a maximum pressure differential of 100 Pa or less.

*1 O-ring permeability is not included in the leak volume.



▼ Shows the disk seat direction

VUGH-40-100

VUGH-150-250

VUGH-CS series

unit: mm

Item Model	Common port diameter (A)	Flange specification	Conductance L/s*1	Flange diameter dia. D	Surface interval L	Total height H	Diameter dia. d	Bolt center PCD	Hole quantity/diameter N-dia. C	Handle diameter dia. A	B	E	F	G	I	K	M	Weight kg
VUGH-40CS	40	UFC070	80	69.3	52	342.5	38	58.7	6-M6 depth 8	100	76	—	38.5	93	113	62	120	4
VUGH-65CS	65	UFC114	370	113.5	60	493.8	65	92.15	8-M8 depth 10	125	110	—	57	157.5	162.7	80	162	9
VUGH-100CS	100	UFC152	1200	151.6	70	624	100	130.3	16-M8 depth 10	125	152	—	76	209.5	217.5	82	200	13
VUGH-150CS	150	UFC203	3000	202.4	85	800	150	181.1	20-M8 depth 10	125	200	45	100	350	236	92	242	23
VUGH-200CS	200	UFC253	6000	253.2	100	991	195	231.9	24-M8 depth 10	160	252	45	126	435	307.5	108	314	42
VUGH-250CS	250	UFC306	10000	306	105	1055	240	284.0	32-M8 depth 10	160	292	60	150	480	286	112	340	53

*1: Conductance: Calculated valve using molecular flow, 20 °C, and air

VUGH-F series

unit: mm

Item Model	Common port diameter (A)	Flange specification	Conductance L/s*1	Flange diameter dia. D	Surface interval L	Total height H	Diameter dia. d	Bolt center PCD	Hole quantity/diameter N-dia. C	Handle diameter dia. A	B	E	F	G	I	K	M	Weight kg
VUGH-40F	40	UVF-40	80	105	52	342.5	38	85	4-M8 depth 8	100	76	—	38.5	93	113	60	100	4
VUGH-65F	65	UVF-65	370	145	60	493.5	65	120	4-M10 depth 7	125	110	—	57	157.5	167	74	140	9
VUGH-100F	100	UVF-100	1200	185	70	624	100	160	8-M10 depth 11	125	152	—	76	209.5	217.5	78	186	13
VUGH-150F	150	UVF-150	3000	235	85	800	150	210.1	8-M10 depth 10	125	200	45	100	350	236	96	236	23
VUGH-200F	200	UVF-200	6000	300	100	991	195	270	8-M12 depth 12	160	252	45	126	435	307.5	104	290	42
VUGH-250F	250	UVF-250	10000	350	105	1055	240	320	12-M12 depth 14	160	292	60	150	480	285	110	330	53

*1: Conductance: Calculated valve using molecular flow, 20 °C, and air